

ID+

Photo ID system

DNP
Photo Imaging

ID photos on the fly!

The ID+ photo system swiftly and easily produces all kinds of ID photos, in compliance with EU requirements. It is composed of DNP's dye sublimation ID 600 Photo Printer and a touchscreen tablet with an integrated camera, embedded with ID+ software. Biometric functions automatically adjust the photo to correctly meet specifications right from the start. The dedicated ID Media has a specific backprint 'ID Photo Paper'. The compact solution requires little space and can easily fit on any table top. ID Photos have never been so simple!



BIOMETRIC SOFTWARE

**COUNTRY SPECIFIC
ID TEMPLATES**

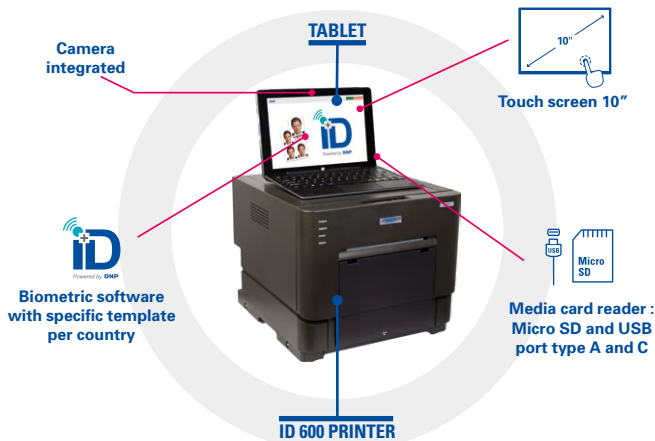
EASY TO USE

COMPACT DESIGN

HIGH PRINT QUALITY

HIGH QUALITY, EU COMPLIANT ID PHOTOS

► Technology concentrate



SAVE TIME AND AVOID ERRORS

- Automatized software, no need for manual adjustments!
- Possible manual correction to adjust color, luminosity and contrast.
- Change template without taking another picture.
- Check, reprint or delete orders via the history function.

EXCLUSIVE FEATURES

- Print photos from camera or file
- Save both original and resized image
- Save to USB key, send to email

EXCLUSIVE MEDIA

- 350 prints/box, 4x6" (10x15cm)
- ID specific backprint



GET ID PHOTOS IN 4 STEPS

- 1 Choose a country template
- 2 Select an ID type: ID card, passport, Visa, driver's license
- 3 Get the biometric confirmation control print
- 4 Obtain your ID photo in 12.4 seconds

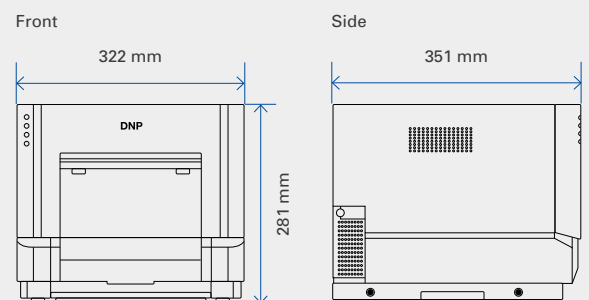
SPECIFICATIONS

ID+

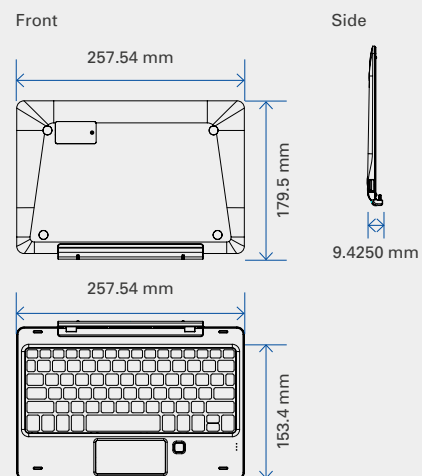
Product code	3698800	
	Tablet	PRINTER
Dimensions	W257 x H173 x D9.3 mm	W322 x H281 x D351 mm
Weight (approx.)	Tablet 530g (+ Keyboard 480g)	14kg
Footprint	-	0,11m ²
Print technology	-	Dye-Sublimation thermal transfer
Print finish	-	Glossy and Matte
Print speed	-	12,4s for (4x6" 10x15cm)
Screen size	10.1"	-
Resolution	1920x1200 Full HD	300x300dpi (high speed mode) 300x600dpi (high quality mode)
Touch panel	Capacitive 10-touch	-
CPU	Intel Cherry trail Z8350 1.92 GHz	-
Storage	64GB EMMC	-
Operation system	Windows 10 IoT 64bit	-
Camera	Front 2M - Back 5M auto focus	-
Ports	Tablet: 1 Micro SD slot + 1 Type C USB port Keyboard : 2 Type A USB	USB 2.0
Wifi	802.11b/g/n	-
Power supply	AC adapter 5V 2A	AC 240V-100V, 50/60Hz 1.6A / 3.9 A
Battery capacity	6000mah x 3.7V=22.2Wh	-
External Camera Connectivity	Via flash air or cable	-
Accessories	Digital pen + keyboard + OTG cable	-

TECHNICAL DRAWING

ID600



TABLET



CONSUMABLES

Description	Product Code	Prints/box
ID600 4x6" (10x15cm)	102124	350, with ID Photo Back Print
ID600 4x6" (10x15cm)	102125	350, without Back Print



DNP PHOTO IMAGING EUROPE
22, Avenue des Nations
Immeuble Raphaël
CS 51077 Villepinte
95948 ROISSY C.D.G. Cedex
FRANCE

Tel : +33 (0)1 49 38 65 50
Fax : +33 (0)1 49 89 00 81
www.dnpphoto.eu